

**Note:**

- Values stated in Specifications are for bracket only, tower structure to be checked for additional loading before installation
- All items finish hot dip galvanized
- All fasteners M12 Grade 8.8 HDG.
- All fasteners to be torqued 80Nm ( $\pm 10\%$ )
- Weight of bracket incl. fasteners = 50.9kg

**Specifications**

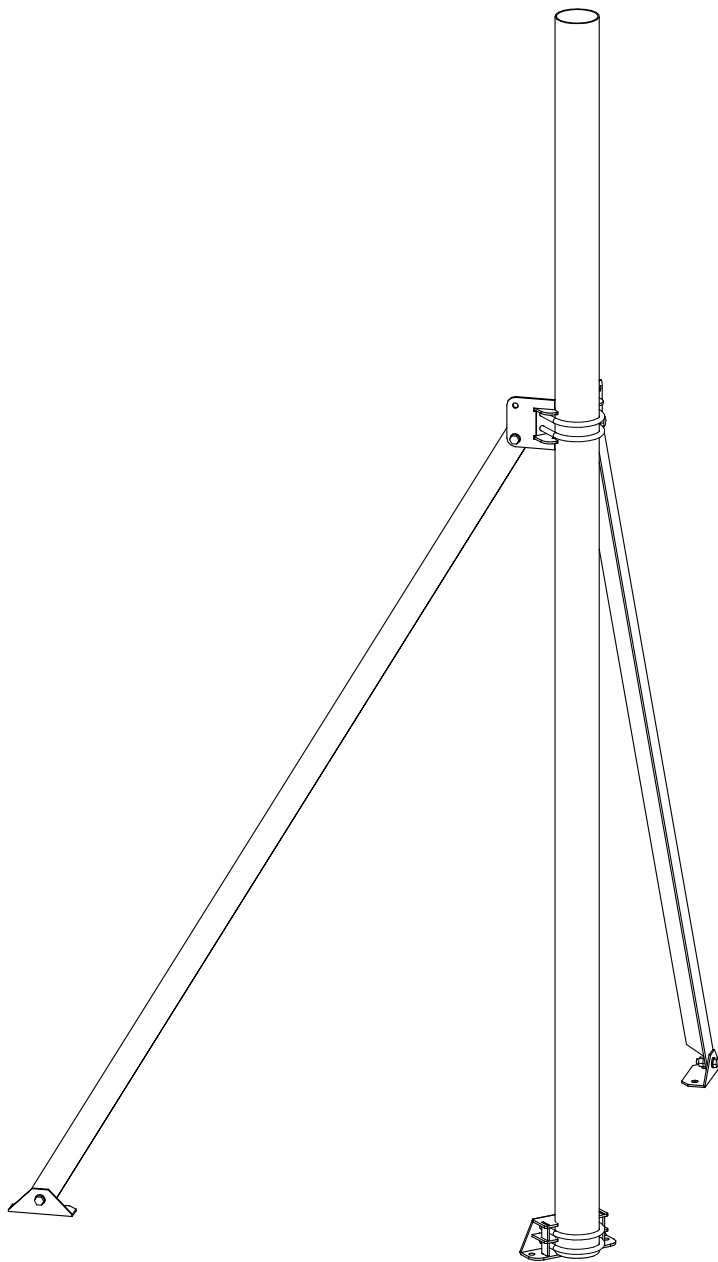
Design Criteria	
SANS 10160(Wind load)   SANS 10162(Structural)	
Safe work load	
Dead weight	A 220kg
Lateral loading (Front) Combined	B 180kg
Lateral loading (Side) Combined	C 180kg
Lateral loading (Back) Combined	D 180kg
Torque (On tubing)	E 1600Nm

**Parts list**

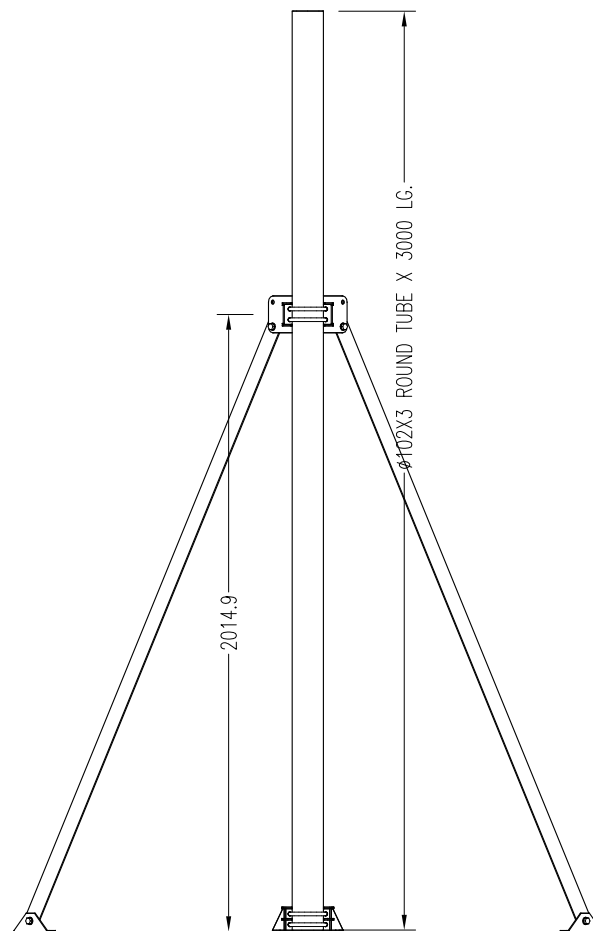
Qty/Description	Part number
1x3m $\phi 102$ pole	RTU214
1xBottom support bracket	GR112/503/01-00
1xTop support bracket	GR112/503/02-00
2xStays	GR112/504/03-00
2xStay to ground bracket	GR112/504/04-00

**Fasteners list**

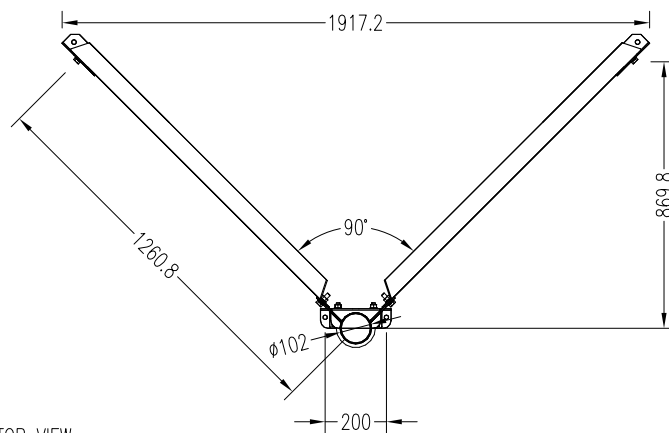
Description	Qty
M12X40 HDG Setscrew	4
M12 Hex nut	24
M12 Flat washer	16
M12 X $\phi 102$ U-Bolt	4



ISOMETRIC VIEW (Typical installation)



FRONT VIEW



TOP VIEW



**Graffo** Innovative wireless infrastructure solutions

Tel: +27 (0)21 905-0010

Fax: +27 (0)21 905-0020

Web: www.graffo.co.za

$\phi 102$  Floor mount with support arms  
Part no. : GR112-503-00-00A